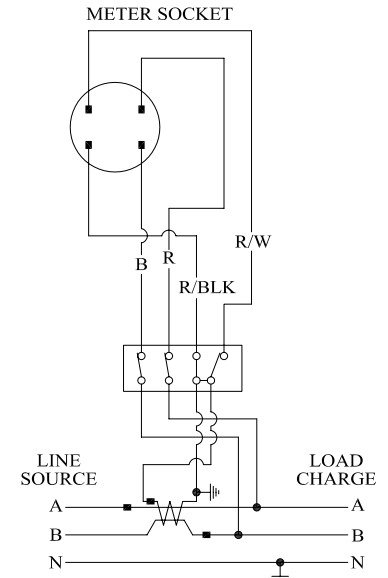
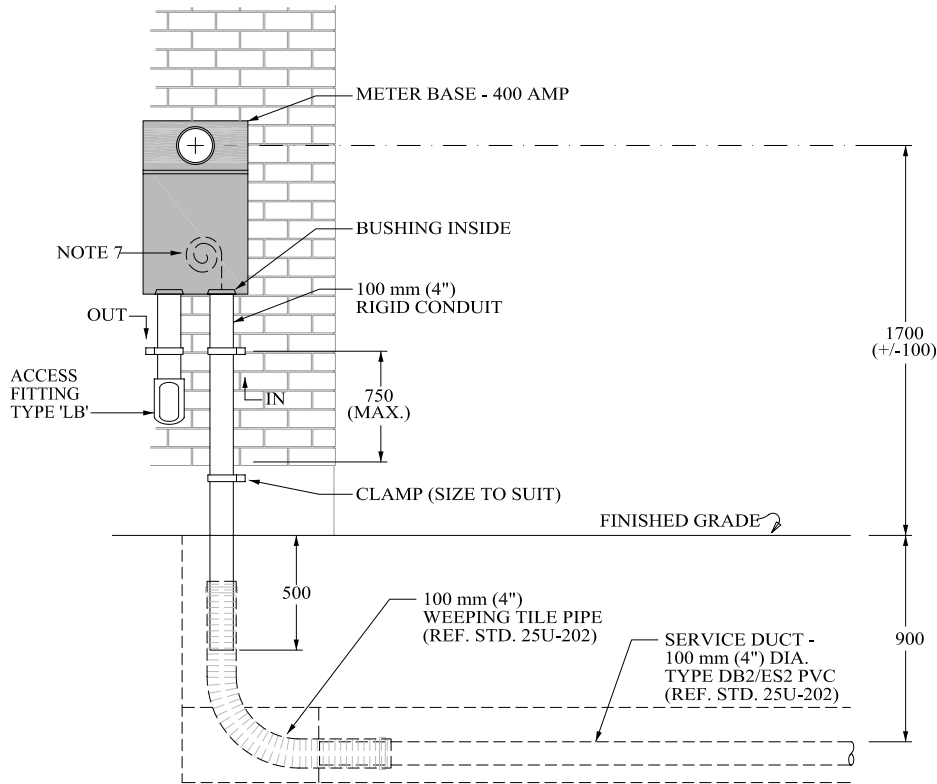


METRIC

LINEAR DIMENSIONS SHOWN IN MILLIMETRES

25U-240
R2 (MAR 2005)



METER BASE SCHEMATIC

NOTES:

1. THE 400 AMP METER BASE SHALL BE OF A TYPE APPROVED BY THE DISTRIBUTOR.
2. THE METER BASE SHALL BE SUPPLIED AND INSTALLED BY THE CUSTOMER.
3. ALL METER BASE INSTALLATION SHALL BE IN ACCORDANCE WITH THE ONTARIO ELECTRICAL SAFETY CODE.
4. THE SERVICE ROUTE AND METER BASE LOCATION SHALL BE AS PER STD. 25U-205.
5. THE SERVICE TRENCH INSTALLATION SHALL BE AS PER STD. 25U-202.
6. THE METER BASE SHALL BE MOUNTED BY MEANS OF FOUR (4) - 3/8" X 3" SCREWS WITH LEAD ANCHORS AND BELLEVILLE WASHERS.
7. INSIDE THE METER BASE, ALL CONDUCTORS EXCEPT FOR NEUTRAL SHALL REQUIRE EXTRA 600 mm LOOP OF CABLES MEASURED FROM THE METER BASE TERMINALS.
8. THE SERVICE CONDUITS SHALL HAVE PLASTIC (INSULATING) BUSHINGS INSIDE THE METER BASE.
9. NO ATTACHMENT SHALL BE PERMITTED TO THE CONDUITS.
10. THE METER BASE AND CONDUITS SHALL HAVE A 1.0 M RADIAL OBSTRUCTION FREE AREA FROM GAS METERS, COMMUNICATION STRUCTURES, FENCES, TREES, PLANTS, SHRUBS AND OTHER STRUCTURES THAT OWNERS MAY INSTALL.

**RESIDENTIAL SECONDARY SERVICE INSTALLATION -
400 AMP, METER BASE**

 **Milton Hydro Distribution Inc.**