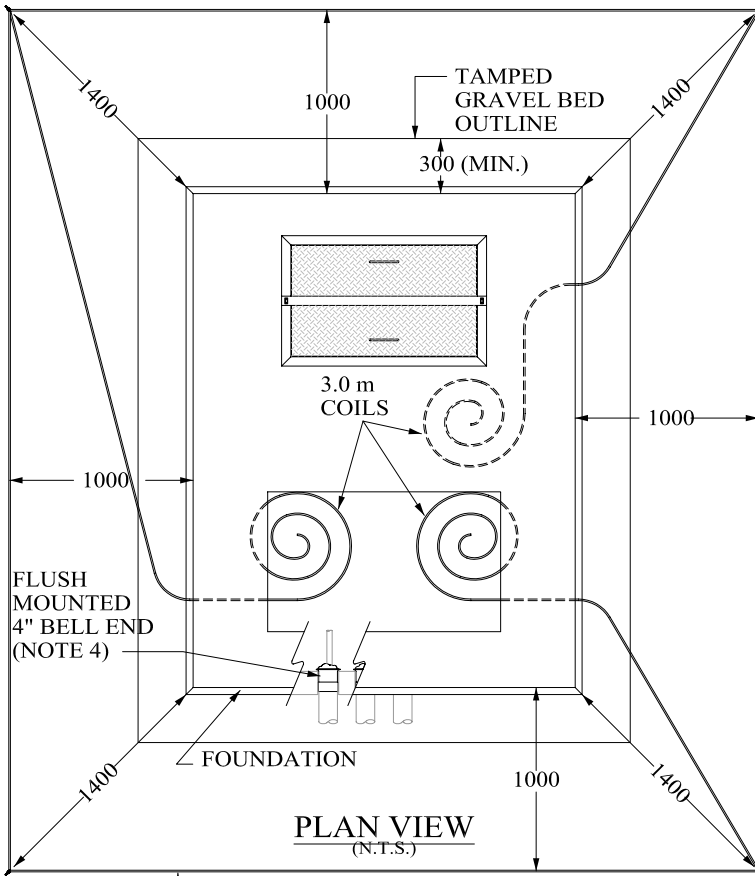


METRIC

LINEAR DIMENSIONS SHOWN IN MILLIMETRES

37-362
R1 (MAR 2005)

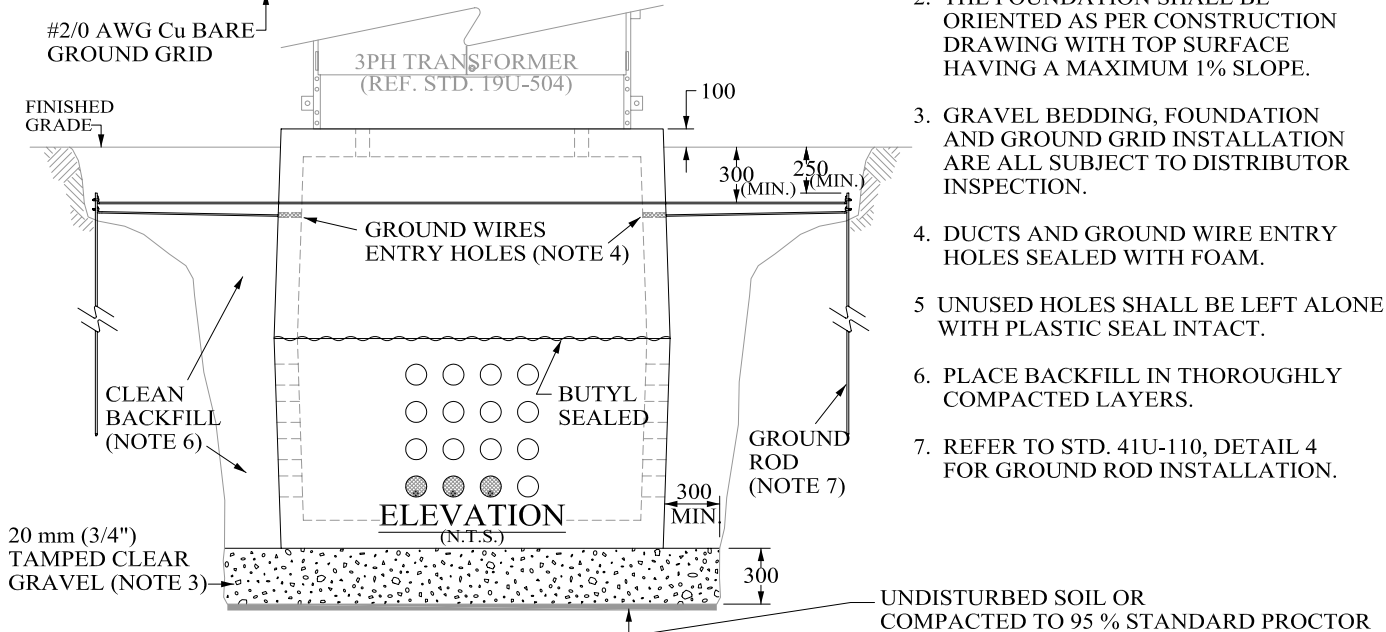


BILL OF MATERIALS		
Part No.	Qty	Description
240-12085	4	ROD, GROUND, 6" x 3/4"
N/A	++	SEALANT, FOAM, DUCT
N/A	1/DUCT	BELL, END, PVC, 4"
N/A		FOUNDATION, CONCRETE, BASE, 64"x100"x69"D, FOR 75kVA TO 500kVA Tx (REF. STD. 37-324)
N/A	1	FOUNDATION, CONCRETE, BASE, 85"x109"x90"D, FOR 75kVA TO 1000kVA Tx (REF. STD. 37-34A)
N/A		FOUNDATION, CONCRETE, BASE, 85"x131"x90"D, FOR 750kVA TO 3000kVA Tx (REF. STD. 37-324B)
711-11140	++	WIRE, #2/0 AWG Cu
800-15295	7	CONNECTOR, I-BOLT CLAMP
N/A	++	GRAVEL, CLEAR, 3/4"
N/A	++	SEALANT, BUTYL

++ - LENGTH/QUANTITY TO SUIT

NOTES:

1. THE FOUNDATION SHALL BE OF A TYPE APPROVED BY THE DISTRIBUTOR.
2. THE FOUNDATION SHALL BE ORIENTED AS PER CONSTRUCTION DRAWING WITH TOP SURFACE HAVING A MAXIMUM 1% SLOPE.
3. GRAVEL BEDDING, FOUNDATION AND GROUND GRID INSTALLATION ARE ALL SUBJECT TO DISTRIBUTOR INSPECTION.
4. DUCTS AND GROUND WIRE ENTRY HOLES SEALED WITH FOAM.
5. UNUSED HOLES SHALL BE LEFT ALONE WITH PLASTIC SEAL INTACT.
6. PLACE BACKFILL IN THOROUGHLY COMPACTED LAYERS.
7. REFER TO STD. 41U-110, DETAIL 4 FOR GROUND ROD INSTALLATION.



**TYPICAL INSTALLATION OF TWO PIECE
PRE-CAST CONCRETE FOUNDATION AND GROUND GRID
FOR THREE PHASE PAD-MOUNTED TRANSFORMER**

2.4/4.16 kV TO 16/27.6 kV