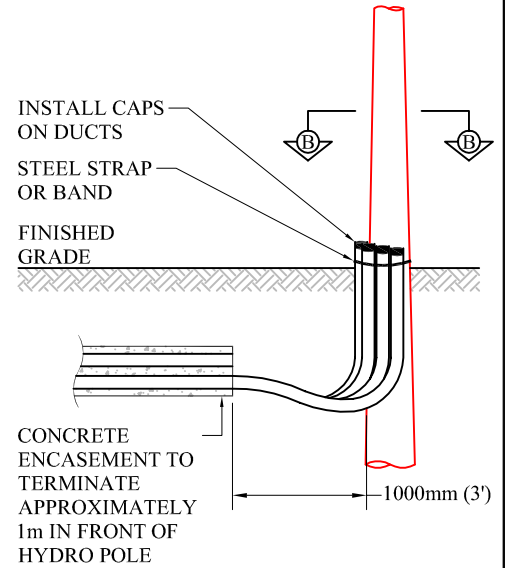
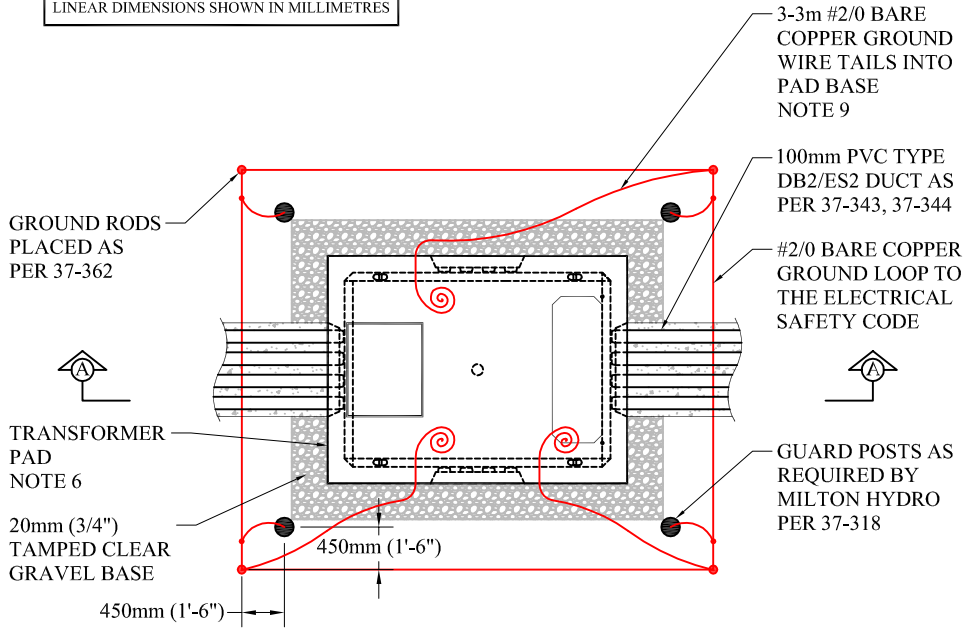


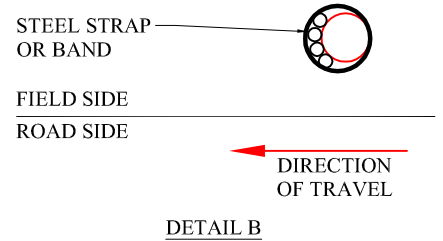
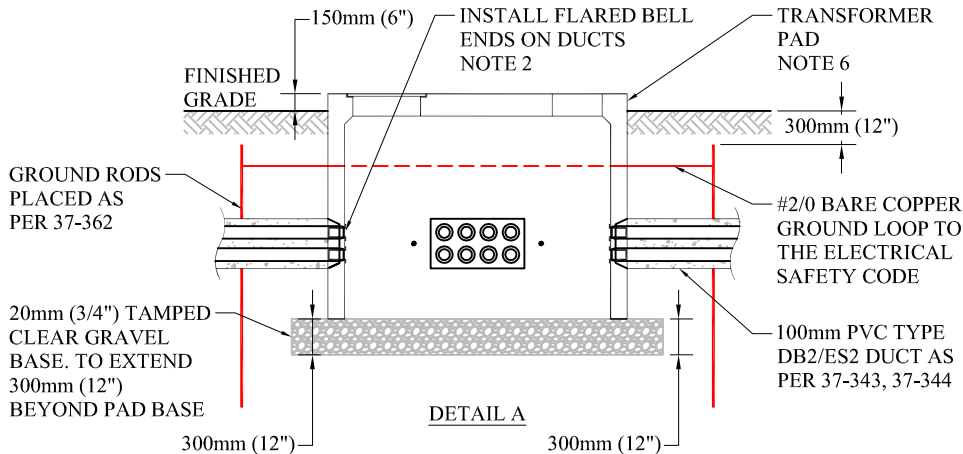
METRIC
LINEAR DIMENSIONS SHOWN IN MILLIMETRES

MHST-7

(FEB 2025)



DUCT ARRANGEMENT AT SUPPLY POLE
(STD. 37-190)



NOTES:

- ALL INSTALLATIONS TO BE INSPECTED BY MILTON HYDRO PRIOR TO BACK FILLING & CONCRETE ENCASEMENT. INSPECTION APPOINTMENTS MUST BE BOOKED 48 HOURS IN ADVANCE OF THE REQUIRED TIME. BACK FILL WITH NATIVE FILL CLEAR OF LARGE STONE & DEBRIS. MILTON HYDRO (905-876-4611)
- CONTRACTOR TO INSTALL FLARED BELL ENDS ON DUCTS & FLUSHED WITH CONCRETE FOUNDATION.
- CONTRACTOR TO STUB DUCTS AT POLE. USE LONG SWEEP 90-DEGREE BENDS (MIN. 60" RADIUS)
- PRIMARY & SECONDARY CABLE ENTER/EXIT ANY SIDE OF BASE.
- PAD TO BE INSTALLED WITHIN 5m OF DRIVEWAY.
- TRANSFORMER PAD TO ONLY BE ACTON PRECAST TYPE LPC108-NO BASE.
- THE TRANSFORMER PAD SHALL BE SUITABLE TO SUPPORT A MAXIMUM WEIGHT OF 7000kg.
- CONCRETE PAD TO BE INSTALLED SUCH THAT TRANSFORMER OPENING IS OPPOSITE OF TRAFFIC.
- CONNECT GROUND TAILS TO TRANSFORMER NEUTRAL BAR & ENTRY HATCH PER STD. 19U-504

3	UPDATED VAULT	FEB 2025	CH
2	CLARIFIED GROUNDING	MAY 2018	CR
1	REMOVED 50mm DUCT	NOV 2014	CR
REV#	DESCRIPTION	DATE	APPD

	TITLE:	DRAWN BY: JB		DWG NO.	
	<p align="center">TRANSFORMER PAD INSTALLATION COMMERCIAL</p>	CHECKED BY: CH		<p align="center">MHST-7</p>	
		APPROVED BY: CH			
		APPROVAL DATE:		SHEET 1 of 1	